

- 1 A regional product from a drowned region
- 2 A souvenir made by tourists?
- 3 Zeelanders: Past & Present
- 4 Snacking for a good cause



Zeeland Souvenirs is a collection of food-related products inspired by the rich and diverse heritage of Zeeland. Each souvenir has a direct connection to a specific location, story, and heritage storyline in Zeeland.

Foodcurators



Provincie Zeeland

Erfgoed Zeeland

WHERE TO FIND ZEELAND SOUVENIRS AND PLACEMARKERS:



Food, design, and heritage.

The diverse landscape and rich history of Zeeland contains many narratives and storylines. Eight specific locations spread across the region have been visibly marked. They each tell a story specific to Zeeland. Visit these places to discover the stories and the special products that were inspired by them.

This collection of 'falsely authentic' Zeeland souvenirs questions what regional products mean. The souvenirs are creative interpretations of heritage — quality products with fresh designs. Travel through Zeeland and get a taste of history!

ZEELAND Souvenirs

FALSELY AUTHENTIC

5 Domburg, the eco-spa

6 Everything orange

7 Sugar-coated politics

8 The taste of a future trip



ZEELAND Souvenirs

FALSELY AUTHENTIC

ZEELAND HERITAGE STORYLINES

The varied landscape and rich history of Zeeland contains many stories. These narratives have been collected and incorporated into iconic regional storylines: otherwise known as the Zeeland heritage trails. In collaboration with Provincie Zeeland and Erfgoed Zeeland, the design studio Foodcurators has created eight installations with different souvenir products, each inspired by a specific heritage storyline.



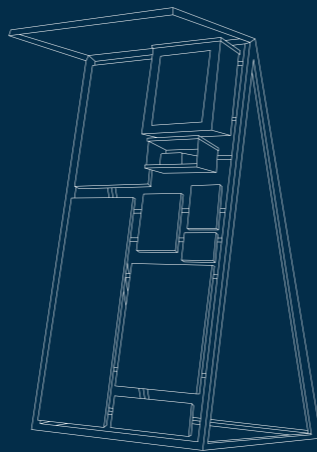
@ZEELAND_SOUVENIRS

1 A regional product from a drowned region.

Get a taste of history with Coudekercke Gruit Bier, a special craft beer based on the history of the flooded village of Coudekercke. Visit the tower, the only remnant of this village, to discover more and get a special glass created for this unique craft beer.



1 PLOMPE TOREN, KOUDEKERKSEWEG 12, 4328 NP BURGH-HAAMSTEDE
OPEN DAILY 10:00-18:00H

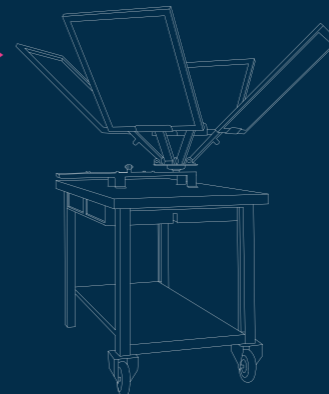


2 A souvenir made by tourists?

The images of Zeeland's agricultural history can be found anywhere, but much of this heritage has lost its original use. Create your own design using the region's most iconic images. Join a workshop to print your own tea towel using a traditional dye.



2 MUSEUM DE MEESTOOF, BIERENSSTRAAT 6, 4697 GE SINT-ANNALAND.
OPEN TUE-SAT 14:00-17:00H

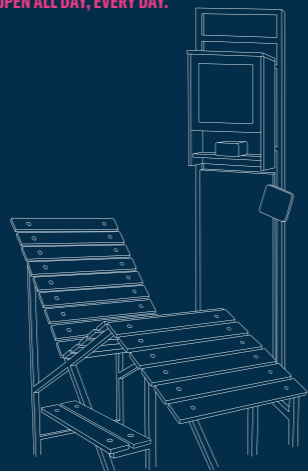


Zeelanders: Past & Present.

Have you tried an original "bolus" yet? Are you keen to learn about the history of this special treat? Visit De Man Die Bakt bakery in Zierikzee. Get yourself a freshly baked bolus and try your hand at baking some at home with a custom baking mix.



5 ON THE BEACH IN DOMBURG, STRAND DOMBURG 80, 4357 AT DOMBURG.
OPEN ALL DAY, EVERY DAY.



5 Domburg, the eco-spa.

In this DIY spa, you can treat yourself to all the relaxing benefits of Zeeland beaches, which have served as popular wellness destinations for decades. An ecological soap with local ingredients will complete the experience: check instagram (@zeeland_souvenirs) for points of sale.



4 WANDELKERK CHURCH, KOORKEKHOEF 2, 4331 BB MIDDELBURG
OPEN MON-FRI 10:30-17:00H, SAT 13:30-17:00H

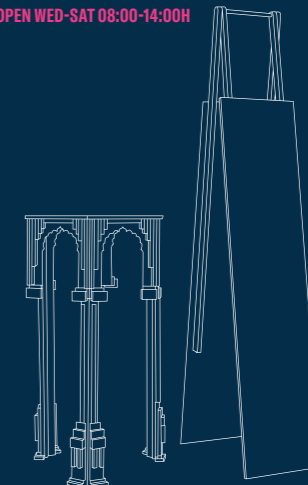


4 Snacking for a good cause.

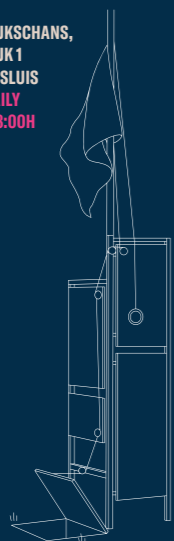
The mausoleum of Johan and Cornelis Evertsen could use some maintenance, are you willing to help? Special appetizers like onion chutney and black pepper crackers are sold next to the mausoleum to raise money for this forgotten piece of heritage.



3 DE MAN DIE BAKT, MEELSTRAAT 31A, 4301 EB ZIERIKZEE
OPEN WED-SAT 08:00-14:00H



6 KRUISDIJKSCHANS, KRUISDIJK 1, 4524 KS SLUIS
OPEN DAILY 09:00-18:00H



6 Everything orange.

We all know that the color orange is symbolic in the Netherlands. But what does William of Orange have to do with Zeeland? Find out more about the Dutch war of independence against the Spanish in the Zeeuws Vlaanderen area and look out for a tasty orange snack.



7 INDUSTRIEL MUSEUM, WESTKADE 114, 4551 LA SAS VAN GENT.
OPEN WED-SUN 12:30-17:00H



7 Sugar-coated politics.

Get a taste of Zeeland's welfare politics with Zeeuwse Suikerwerken candies. Visit the industrial museum of Zeeland to experience this history and catch a glimpse of the region's future. Make sure to bring home some sweet candies inspired by current political topics.



8 THE BENCH ON TOP OF THE DIKE, KNUITERSHOEK 6, 4589 RL OSSENSISSE.
OPEN DAILY 09:00-18:00H



8 The taste of a future trip.

Looking out across the water, you can see another Zeeland waiting on the opposite side. What will it be like? This souvenir will give you a taste of a place you have yet to visit: a soft, fruity nougat with berries from the former island in the distance.



BooQi products are produced under license and are subject to design registrations and trademarks.
© BooQi Media Solutions BV www.booqi.com
call +31 (0)20 7163151 NO 45203/31